

BONALDO

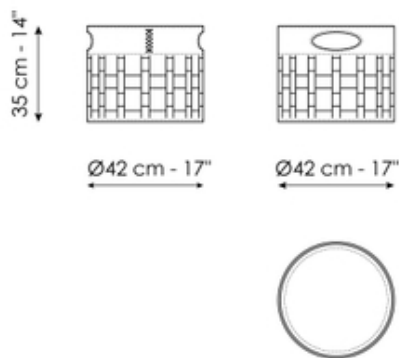
Roger



Usable both as a magazine rack and as a container for objects, Roger is an object with a practical and elegant character, ready to respond to various functions. Roger is a highly-prized accessory, entirely made of hand-woven dark brown emery leather whose dimensions make it a perfect accessory for both the living area and the sleeping area.



Data sheet



Roger

Width: 42cm

Depth: 42cm

Height: 35cm

Finishes

Materials, fabrics, leathers, colors and finishes are approximate and may slightly differ from actual ones. You can find the complete collection of Bonaldo fabrics and leathers on the website <https://bonaldo.biz>