

**BONALDO**

# Neuilly too

Designer: **Fabrice Berrux**

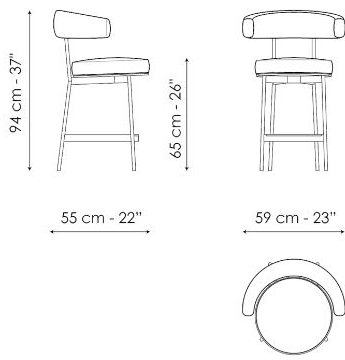


Neuilly too stands out for its delicate image and unique formal qualities which combine the geometric purity of the classic stool with a level of comfort that is evident at first glance. The slender proportions of the linear metal frame further highlight the circular padded seat while at the same

time the ergonomic profile of the welcoming backrest/ armrest offers a natural seating position and guarantees the stool great ease of use both in bar spaces and facing counters in dining areas.



# Data sheet

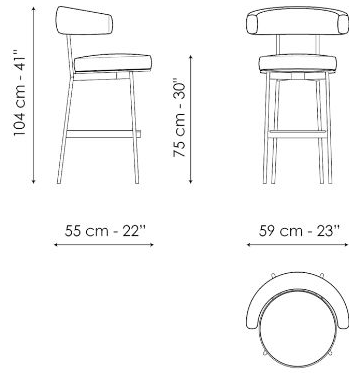


## Neully too H 65

Width: 55cm

Depth: 59cm

Height: 94cm



## Neully too H 75

Width: 55cm

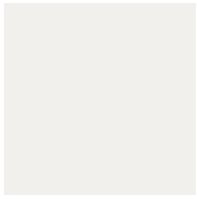
Depth: 59cm

Height: 104cm

# Finishes

## LEGS

### Metal



**Painted metal**  
Mat white



**Painted metal**  
Supreme anthracite



**Painted metal**  
Mat dove grey



**Painted metal**  
Mat brown

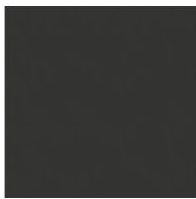


**Painted metal**  
Mat black

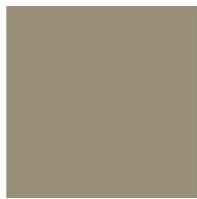
### Plus Metal



**Painted metal**  
Mat bronze



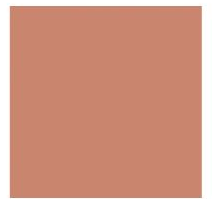
**Painted metal**  
Mat lead



**Painted metal**  
Mat pearl gold



**Painted metal**  
Mat brass



**Painted metal**  
Mat copper

### Special Metal



**Metal finish**  
Burnished

